



ZEISS Interlock 2/135



Features

- Fast f/2.0 aperture
- Extraordinary high resolution and contrast
- Low distortion
- Precise manual focusing
- Robust full-metal construction
- Continuous aperture setting or click stop
- For industrial cameras up to sensor sizes of 24x36 mm or 41mm line sensors
- High optical performance both at infinity and at 1:2 scale
- Features special screws to fix focus and aperture settings even in rough situations

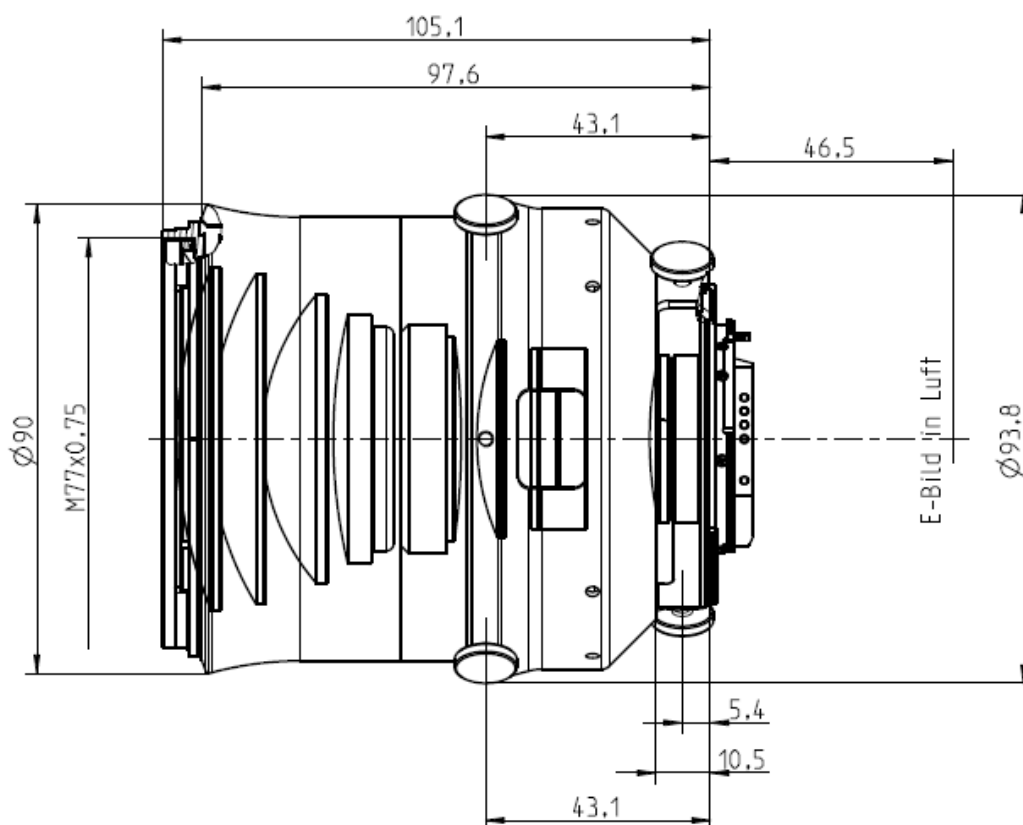
Camera Mounts

Available with F mount or M42 screw mount



ZEISS Interlock 2/135

Technical Specifications



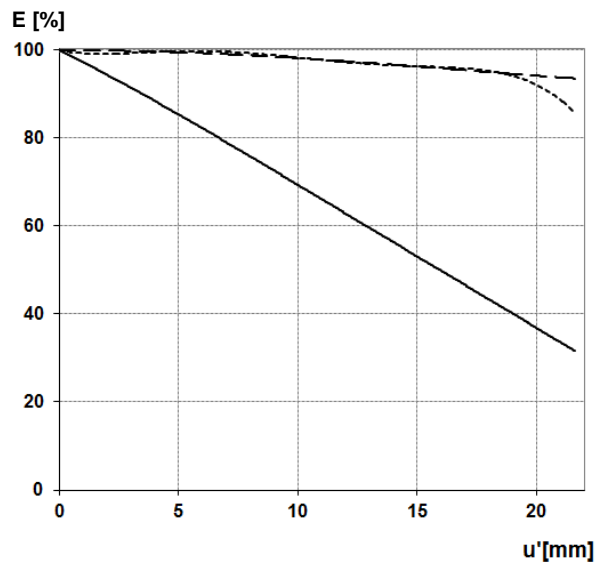
| | |
|---|---|
| Focal length | 135 mm |
| Aperture range | f/2 – f/22 (1/2 stop intervals or continuous) |
| Number of elements / groups | 11 / 8 |
| Min. working distance (object to sensor) | 800 mm (2.62 ft.) – ∞ |
| Min. free working distance | 620 mm (1.37 ft.) – ∞ |
| Angular field* (diag. / horiz. / vert.) | 18,7 / 15,6 / 10,5 ° |
| Max. diameter of image field | 43 mm (1.7") |
| Flange focal length | F-Mount: 46,5 mm (1.8"); M42-Mount: 45,5 mm |
| Coverage at close range | 145 x 96 mm (5.7 x 3.8") line 172 mm (6.8") |
| Image ratio at MOD | 1:4 |
| Filter-thread | M 77 x 0.75 |
| Weight | 1.126 g (2.48 lbs.) |
| Camera mount | F bayonet, M42 |

* referring to 35 mm format



ZEISS Interlock 2/135

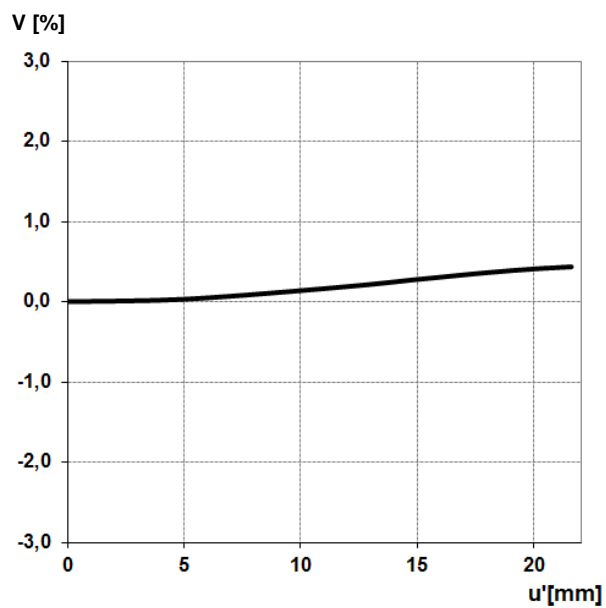
Relative Illuminance*



The relative illuminance shows the decrease in image brightness from the image center to the edge in percent.

— f-number = 2.0
... f-number = 5.6

Relative Distortion*



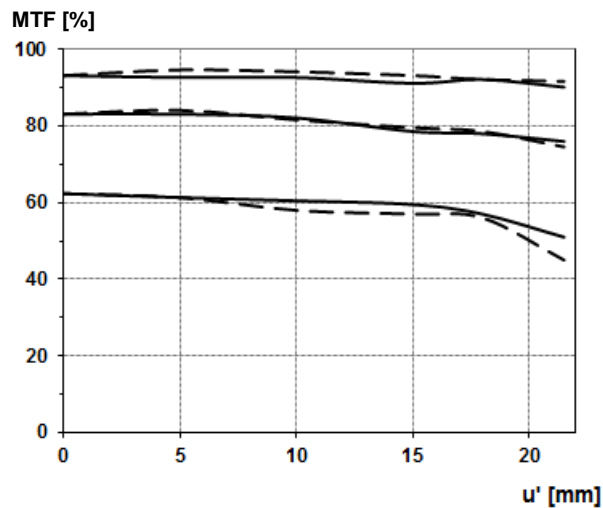
The relative distortion shows the deviation of the actual image height from the ideal one in percent.

*Data for infinite focus setting



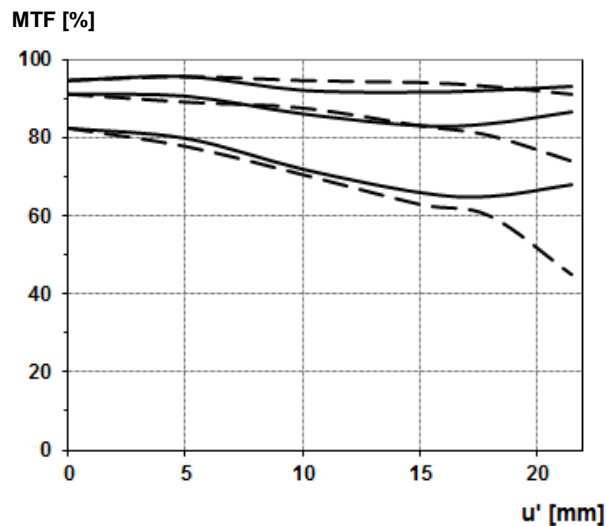
ZEISS Interlock 2/135

MTF Charts*



The Modulation Transfer (MTF) as a function of image height (u) and slit orientation (sagittal, tangential) has been measured with white light at spatial frequencies of $R = 10, 20$ and 40 cycles/mm.

f-number 2
— Sagittal
... Tangential



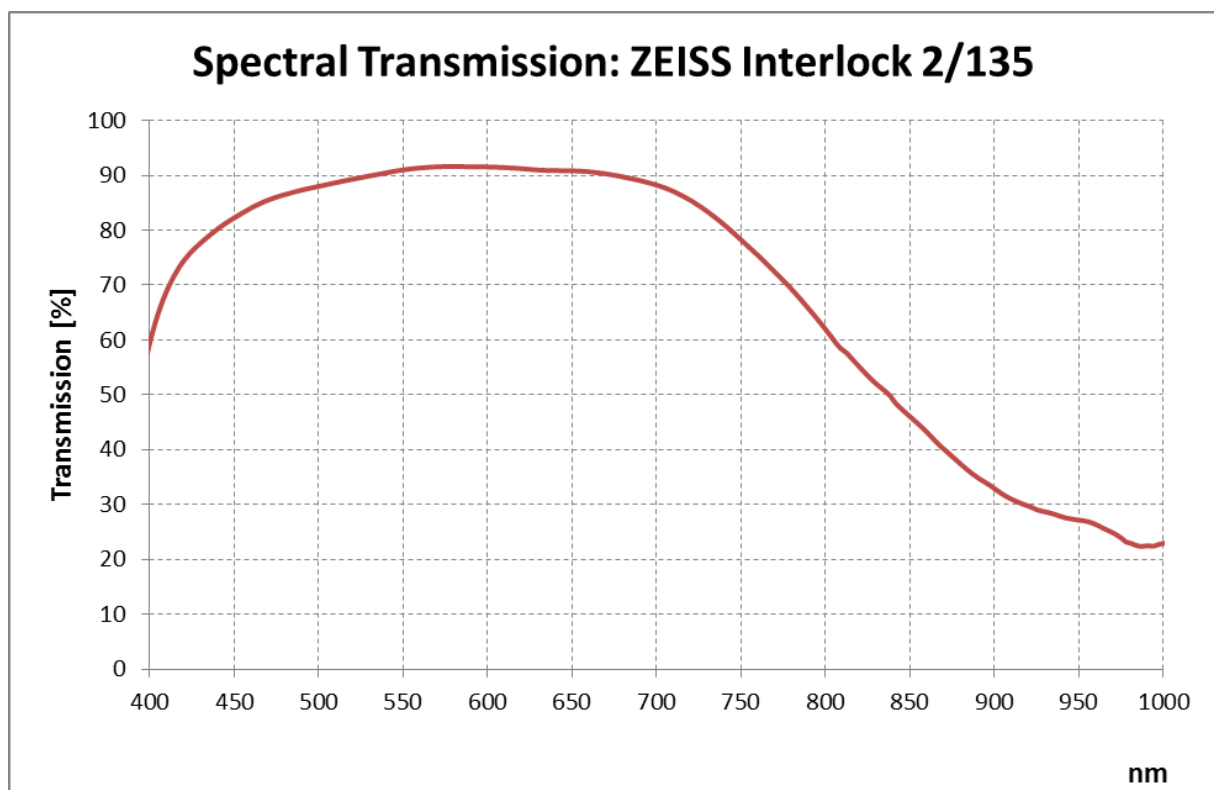
f-number 4
— Sagittal
... Tangential

*Data for infinite focus setting



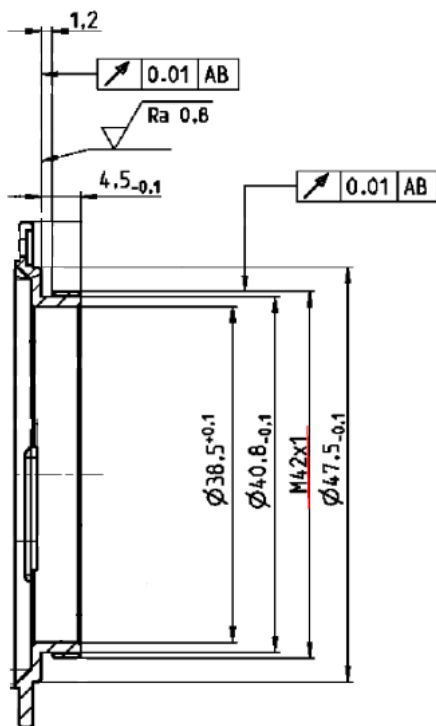
ZEISS Interlock 2/135

Spectral Transmission





ZEISS Interlock 2/135



M42 Mount for 45,5 mm Flange Focal Distance

The diameter of the camera/lens adapter must not exceed 55 mm at the lens side!